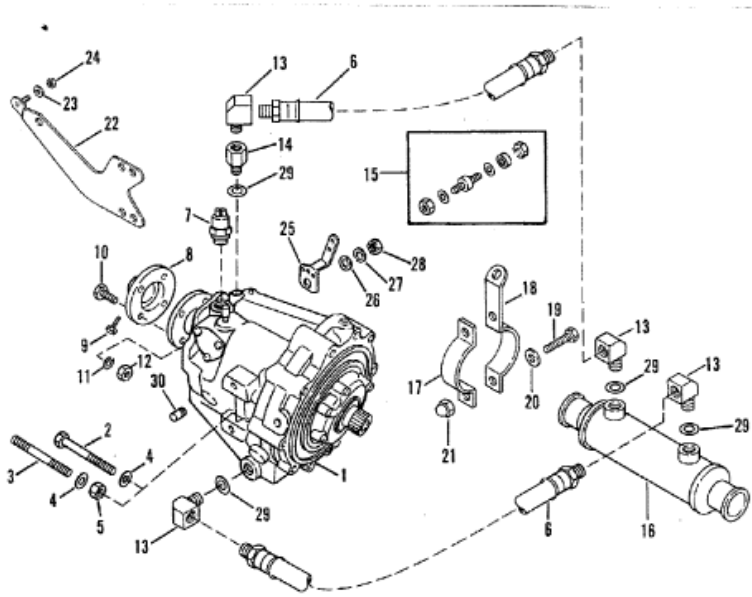


NEW DESIGN



19897

Parts List						
Ref	Class	Part	Description	Qty	Comment	Footnote
1		47805A 7	TRANSMISSION ASSEMBLY (DIR)	1		
1		47806A 7	TRANSMISSION (1.523:1 REDUC	1		
1		47807A 7	TRANSMISSION (1.909:1 REDUC	1		
1		47808A 7	TRANSMISSION (2.57:1 REDUCT	1		
1		47809A 7	TRANSMISSION (2.909:1 REDUC	1		
2	10	60179	SCREW, (.437-14 x 3.500)	4		
3	16	57921	STUD, (.437-14 x 4.00)	2		
4	13	32993	LOCKWASHER, (.437)	6		
5	11	22024	NUT, (.437-14)	2		
6	32	47516 14	HOSE (44")	1		
6	32	47516 13	HOSE, (49.00 Inch)	1		
7	87	88031	SWITCH	1		
8		87917A 1	FLANGE ASSEMBLY, (4.00 x 1.00)	OPT	(Use 10-60169)	
8		87917A 2	FLANGE ASSEMBLY (1-1/8")	OPT	(Use 10-60169)	
8		87917A 3	FLANGE ASSEMBLY (1-1/4")	OPT	(Use 10-60169)	
8		48384A 1	FLANGE ASSEMBLY (1-3/8")	OPT	(Use 10-60169)	
8		87917A 5	FLANGE ASSEMBLY (1-1/2")	OPT	(Use 10-60168)	
8		79476A 1	FLANGE ASSEMBLY, (5.00 x 1.00)	OPT	(Use 10-60171)	
8		79476A 3	FLANGE ASSEMBLY, (5.00 x 1.25)	OPT	(Use 10-60171)	
8		79476A 4	FLANGE ASSEMBLY, (5.00 x 1.37)	OPT	(Use 10-60171)	
8		79476A 5	FLANGE ASSEMBLY, (5.00 x 1.50)	OPT	(Use 10-60170)	
9	10	60168	SCREW (1-1/2")	2		
9	10	60171	SCREW, (.375-16 x 1.250)	2		
9	10	60170	SCREW (1")	2		
9	10	60169	SCREW, (.375-16 x .750)	2		
10	10	37909	SCREW, (0.375-24 X 1.125)	4		
10	10	60106	SCREW (1-1/4")	4		
11	13	35048	LOCKWASHER, (.375)	4		
11	13	32993	LOCKWASHER, (.437)	4		
12	11	24883	NUT	4		
12	11	22024	NUT, (.437-14)	4		
13	22	63835	ELBOW, (45 Degree)(.375 NPTF x	1		
13	22	47629	FITTING, Elbow (90 Degree)	4		
14	22	88517	FITTING, Reducing	1		
15	16	97477A 1	STUD KIT	1		
16		63832A 1	COOLER	1		
17		56328A 1	BRACKET (SHORT)	1		
18		63820 1	BRACKET (LONG)	1		
19	10	60300	SCREW, (.250-28 x .750)	2		
20	12	25309	WASHER, (.406 x .812 x .065)	2		
21	11	20505	NUT, (.250-28)	2		